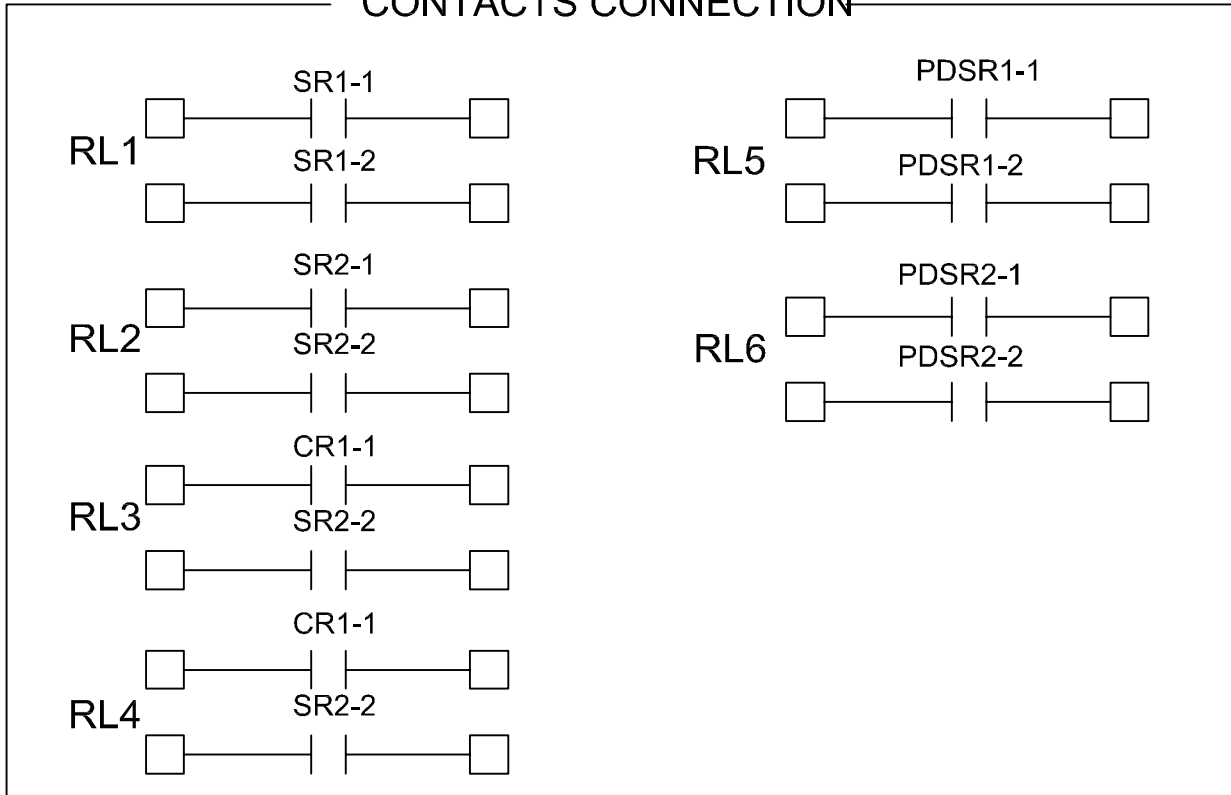
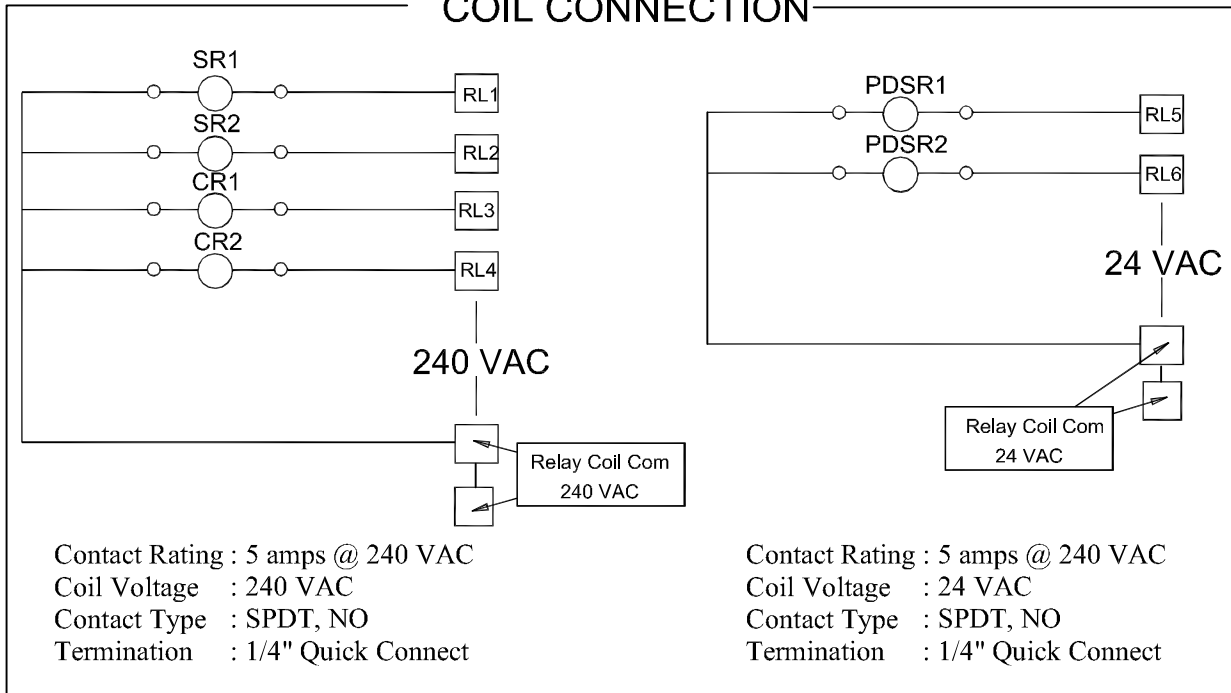


## CONTACTS CONNECTION



## COIL CONNECTION



SR : Safety Relay

CR : Compressor Relay

PDSR: Pump-Down Solenoid Relay

# ACmax®

Title:  
**6 Relay PCB (240V: 4, 24V: 2)**

Model No.:  
**ET-854**

Rev: **B** Date: 08/16/2004  
DWG No.: 000508-B