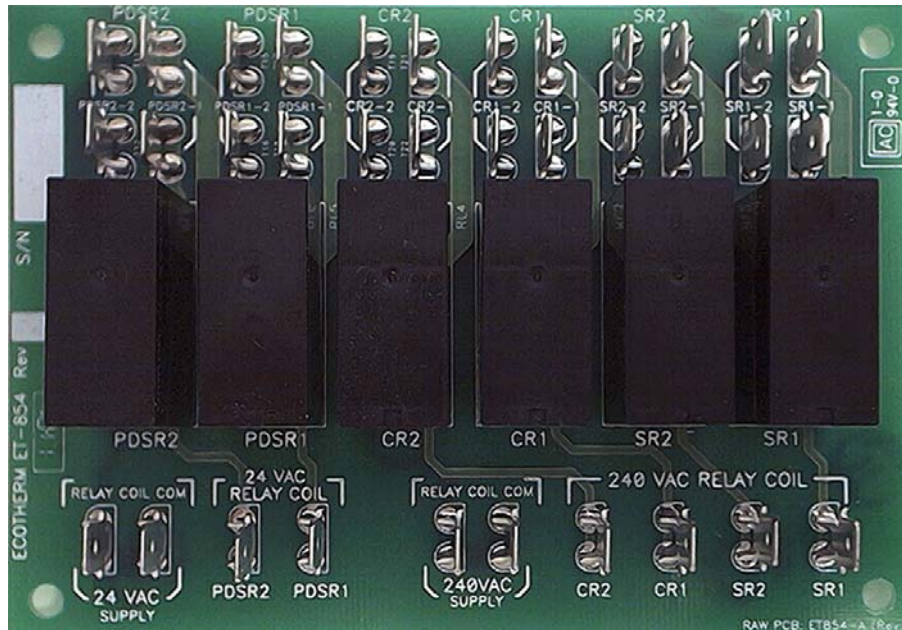


**POWER SWITCHING RELAY BOARD (24 & 240VAC, 6 RELAYS)  
ET-854**

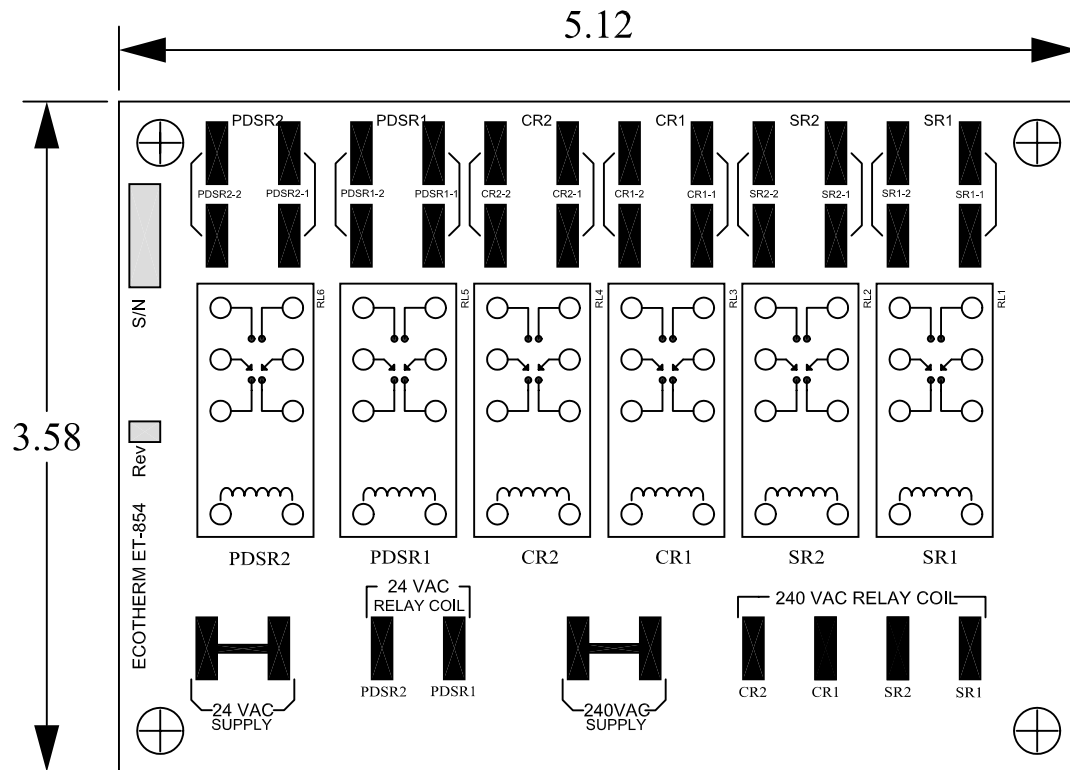
The ET-854 relay board is designed to convert 24 and 240VAC control signals to 240VAC dry contacts to operate 3-speed fans, compressors, heater relays, and other line voltage devices.

**FEATURES:**

- PCB relay design to reduce wiring and control panel size
- Suitable for up to 6 control circuits

**SPECIFICATIONS:**

- 24VAC and 240VAC coil voltage
- 5 AMPS @ 240VAC relay contact rating
- SPDT, normally open contact
- Dimensions: 3.25" x 4.65" x 0.75"
- Board supplied with snap track for easy installation



SR: Safety Relay  
 CR: Compressor Relay  
 PDSR: Pump-Down Solenoid Relay

NOTE: SR, CR & PDSR ARE DPST, NO

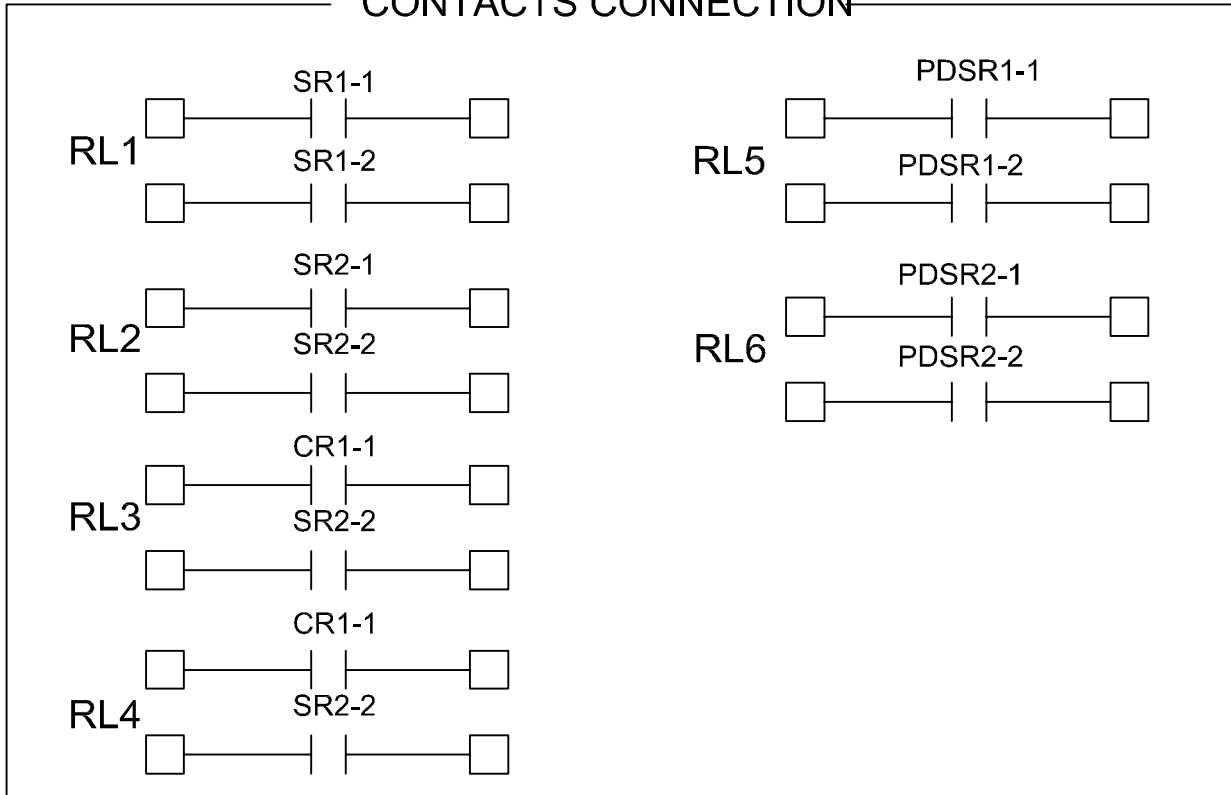


Title:  
**6 RELAY PCB LAYOUT**

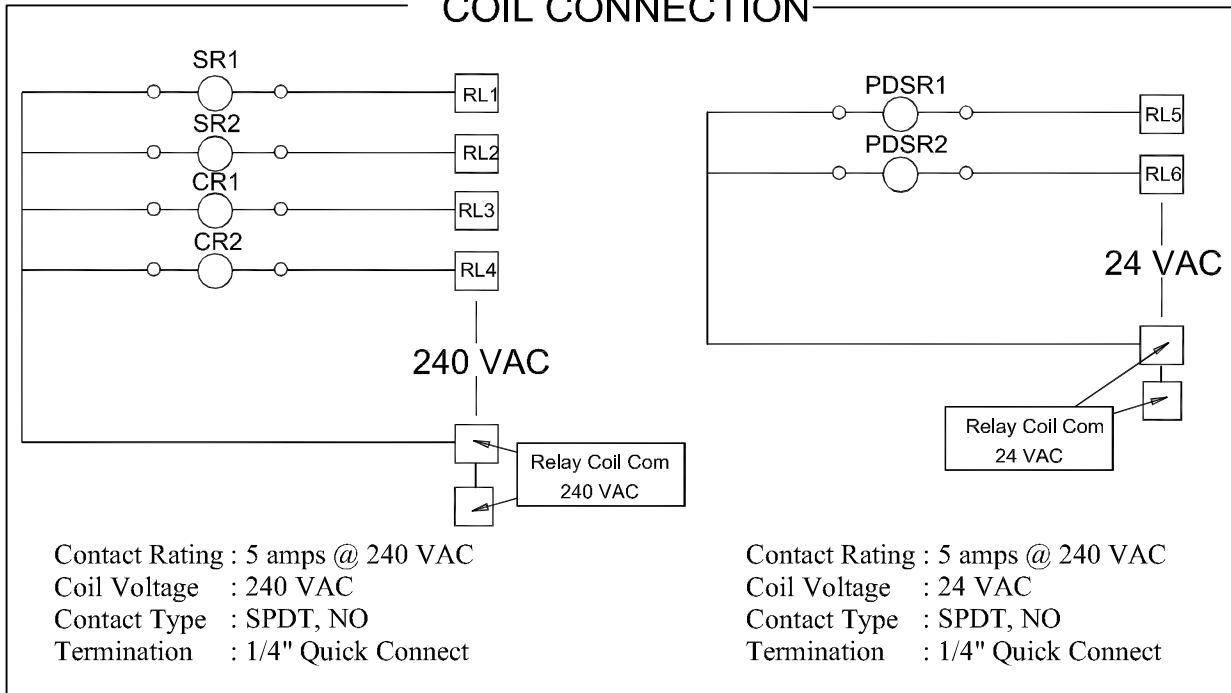
Model No.:  
**ET-854**

Rev: **A** Date: 04/19/2000  
 DWG No.: 000407

## CONTACTS CONNECTION



## COIL CONNECTION



SR : Safety Relay

CR : Compressor Relay

PDSR: Pump-Down Solenoid Relay



Title:  
**6 Relay PCB (240V: 4, 24V: 2)**

Model No.:  
**ET-854**

Rev: **B** Date: 08/16/2004  
 DWG No.: 000508-B