



EKC-200 Series Temperature Controls

ELECTRIC WATER HEATER THERMOSTATS AND LIMITS

Surface Mount Temperature Sensing Controls

FEATURES

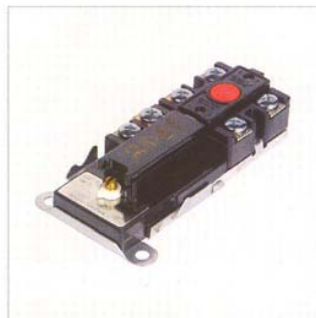
- High electrical capacity.
- Snap-Action contact.
- Long life-proven reliability
- Adjustable control or manual reset styles
- UL and cUL



EKC-200



EKC-201



EKC-202



EKC-204



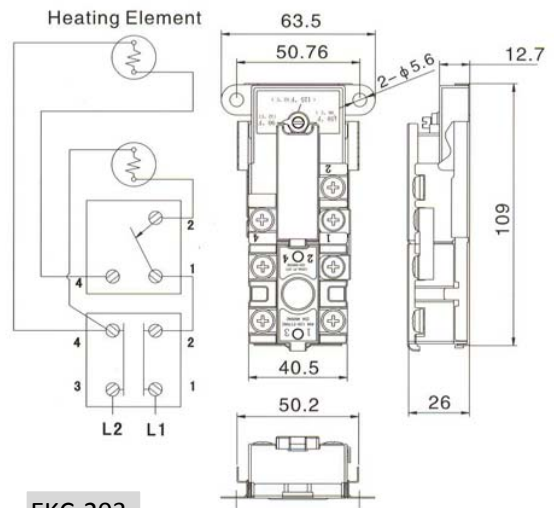
EKC-203



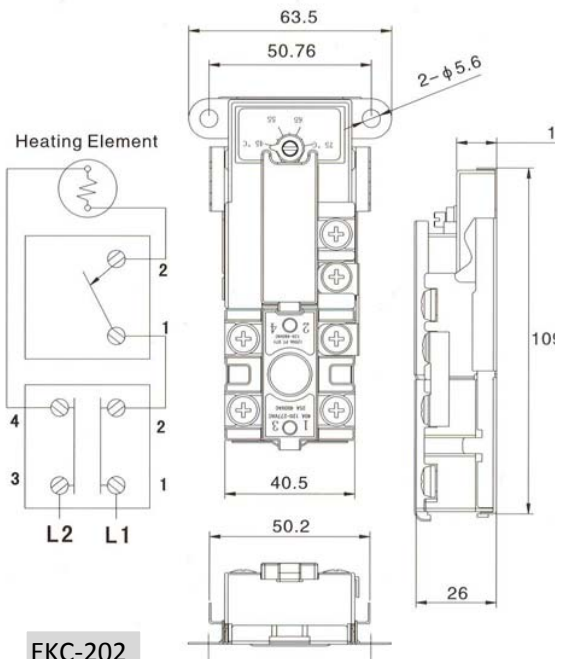
EKC-208



EKC-207R



EKC-203



EKC-202

•NOTE: If those shown are not acceptable, Please contact us to discuss specific requirement

Description	Range	Switch Action	AC Electrical Ratings		
			(Non Inductive)		
			120/240 VAC	277 VAC	480 VAC
Manual reset	60-220°F(71-104°C)	SPST / DPST		40.0A	25.0A
			30.0 A	25.0A	12.5A
			40.0 A	25.0A	12.5A
Adjustable	90-170°F(32-66°C)	SPST / SPDT		40.0A	25.0A
			30.0 A	25.0A	12.5A
			40.0 A	25.0A	12.5A