

GENERAL PURPOSE THERMOSTAT

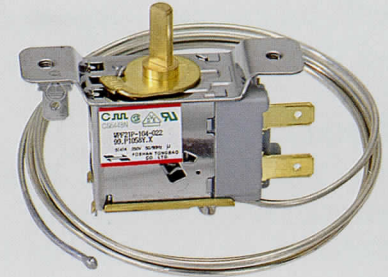
Terminal C-L Cut-in at temperature rise. With SPST or SPDT, and an additional auxiliary switch. There are forced OFF and/or PD points. Type WP-T with two-spring mechanism is a wide differential range.

Available temperature range: $-36 \sim +15^{\circ}\text{C}$

Adjusting temperature range: max. 25°C

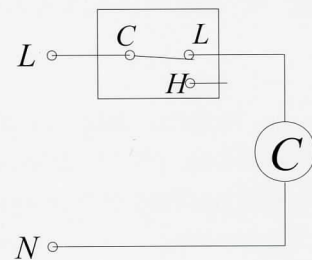
Differential: WP ($5 \sim 14^{\circ}\text{C}$) $5 \sim 25^{\circ}\text{C}$

WP-T ($10 \sim 25^{\circ}\text{C}$)

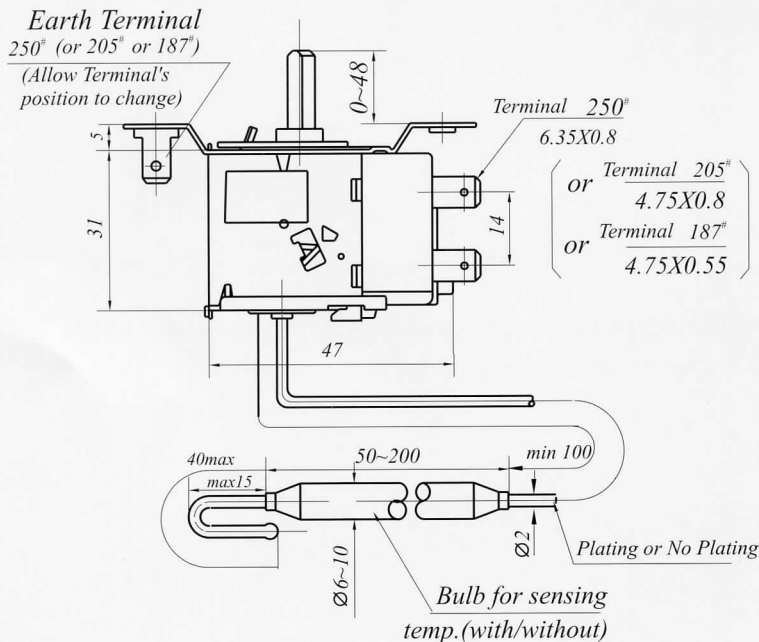


Approvals:

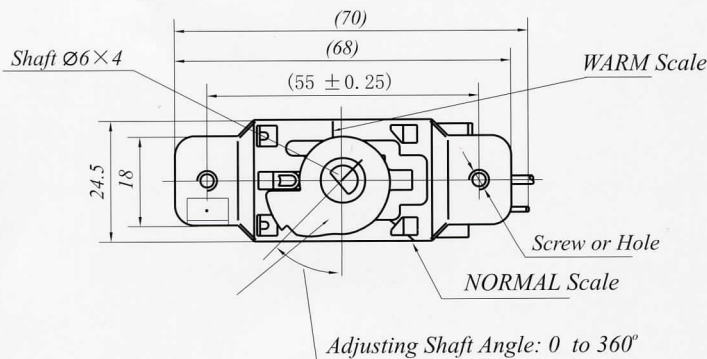
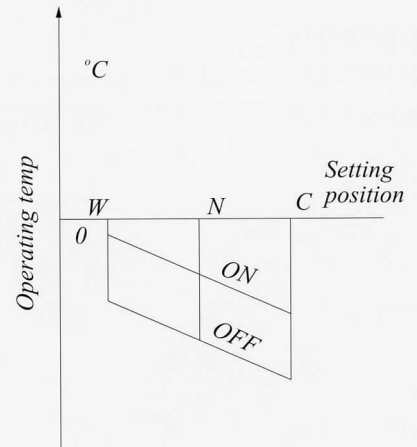
Typical Electrical Wiring Diagram



Construction/Dimensions



Typical Function Chart



Typical Applications

Refrigerating/freezing devices,
 Automobile air conditioning