

HIGH CURRENT THERMOSTAT

With a high current capability switch of SPST or SPDT. There is a narrow differential and a forced OFF function. This kind of thermostats can be used in direct current (DC) with inductive loads.

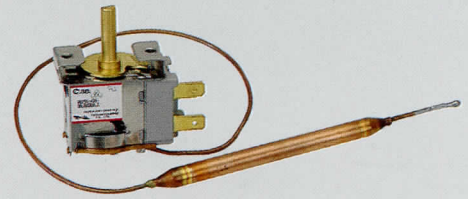
WK-B and WK-C series with bottom outlet terminals are available.

Thermostats with a fix operating temperature (without a shaft) for air conditioner defrosting are also available.

Available temp. range: $-35 \sim +40^{\circ}\text{C}$

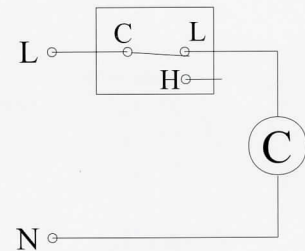
Adjustable temp. range: Max. 20°C

Differential: Min. 2°C

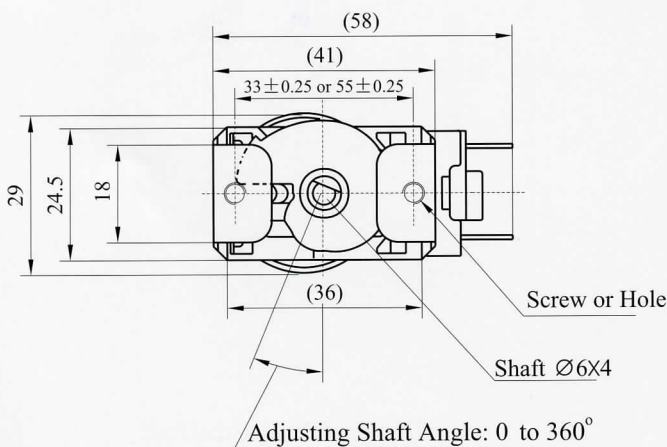
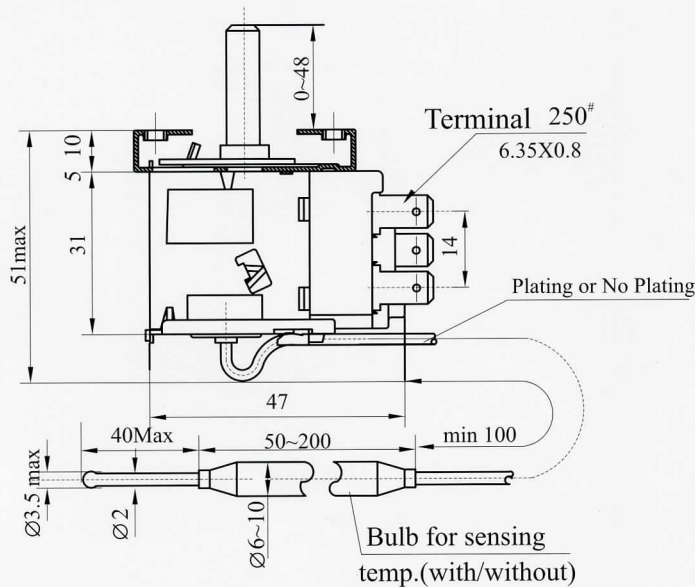


Approvals:

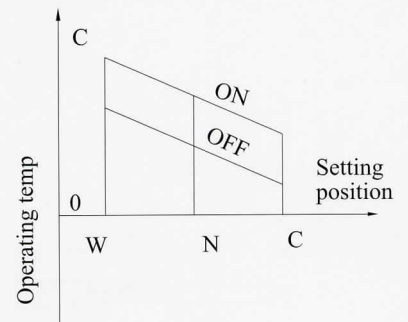
Typical Electrical Wiring Diagram



Construction/Dimensions



Typical Function Chart



Typical Applications

Room air conditioners, Freezers, Automobile air conditioners.