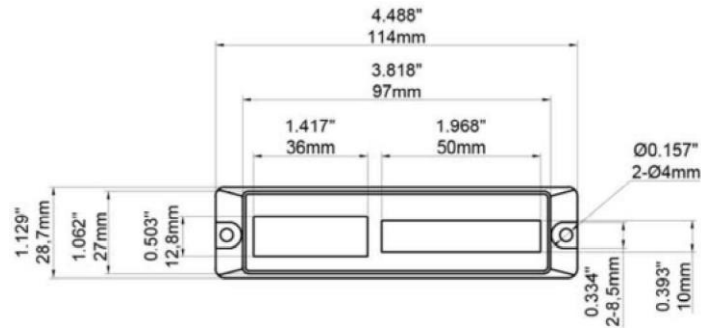




ESD-1 SOLAR DIGITAL THERMOMETERS (C/F)



Features:

- **Function:** ON/OFF switch, °C/°F switch
- **Backup Power:** AAA battery x 1
- **Material:** ABS case, stainless steel bulb
- **Wire Length:** 1.2 meters (48")
- **Case Color:** Black
- **Temperature Range:** -50 to 70°C&°F
- **Resolution:** 0.1°C
- **Package:** 1pc/white box
- **IP Rating:** IP45

Dimensions:

- **Product Size:** 114mm x 28mm
 - **IMounting-hole:** 105.5mm
-