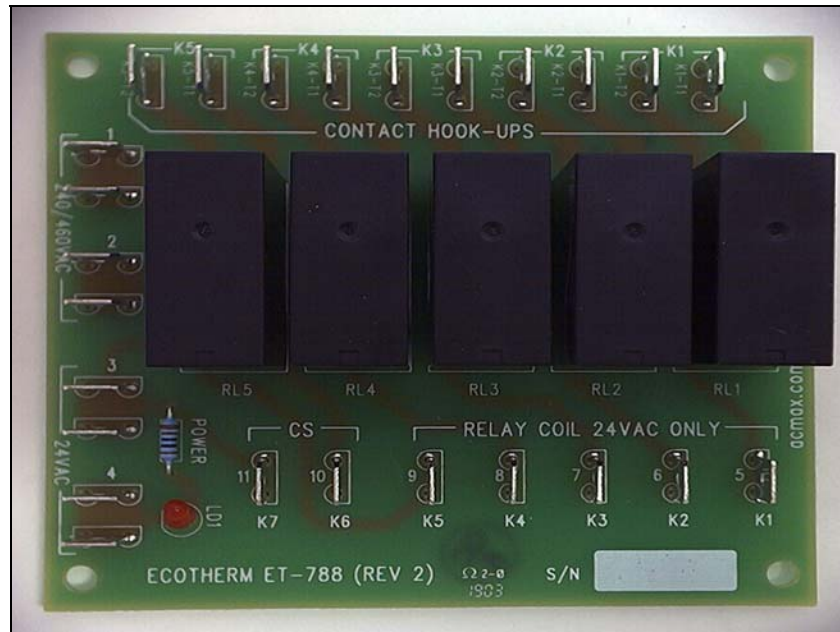


**POWER SWITCHING RELAY BOARD (24VAC, 5 RELAYS)  
ET-788**

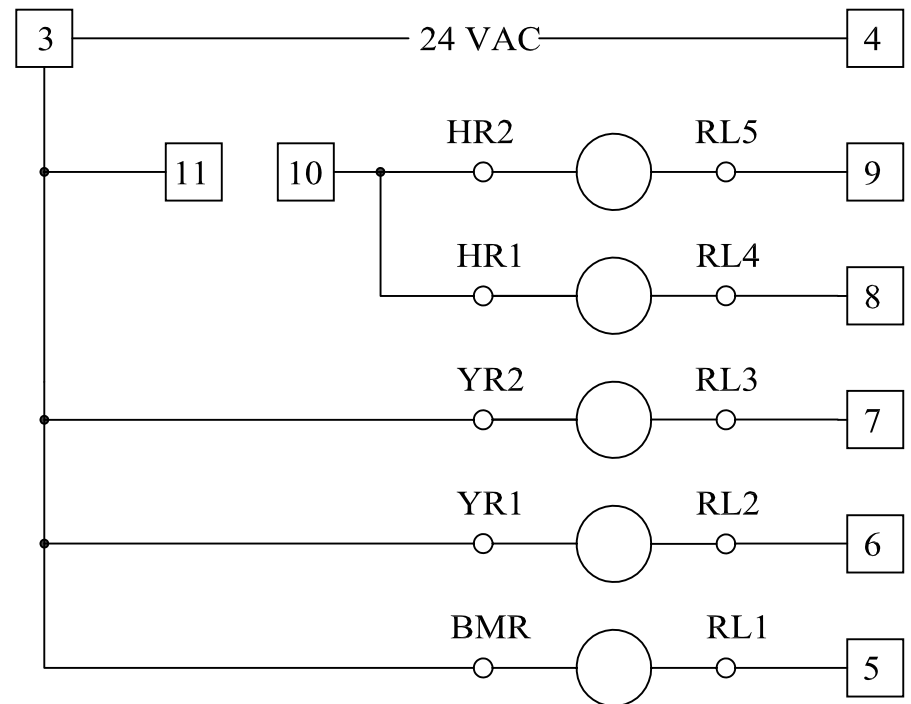
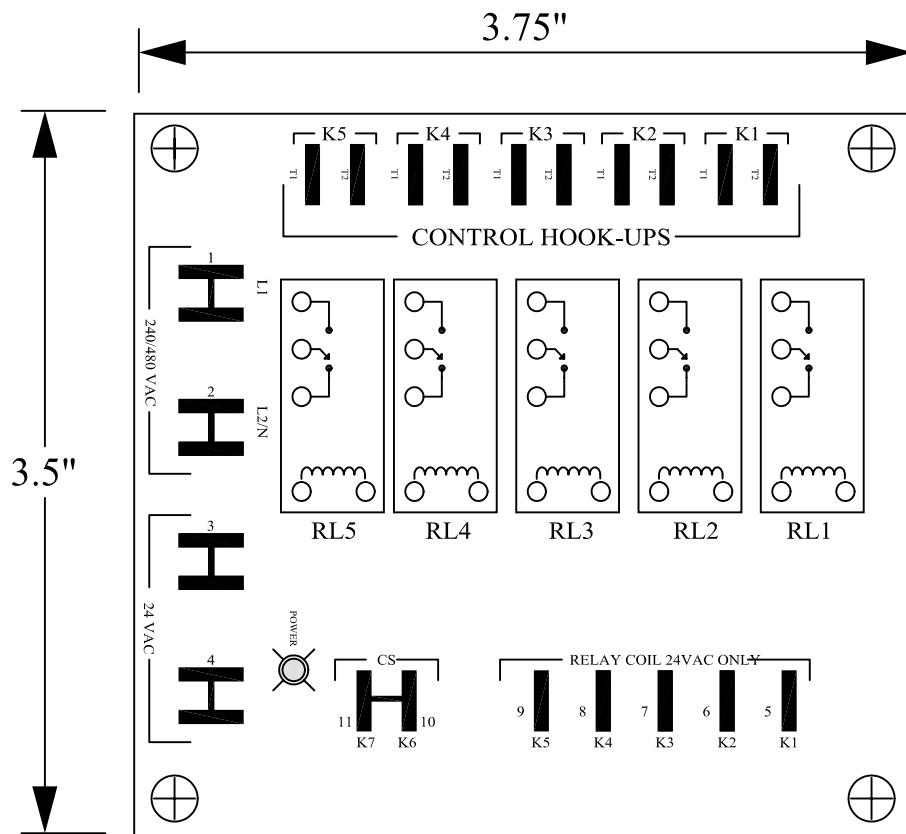
The ET-788 relay board is designed to convert 24VAC control signals to 240VAC dry contacts to operate 3-speed fans, compressors, heater relays, and other line voltage devices.

**FEATURES:**

- PCB relay design to reduce wiring and control panel size
- Suitable for up to 5 control circuits
- Separate terminals (10 & 11) for electrical heater airflow switch initiation
- LED for power status indication

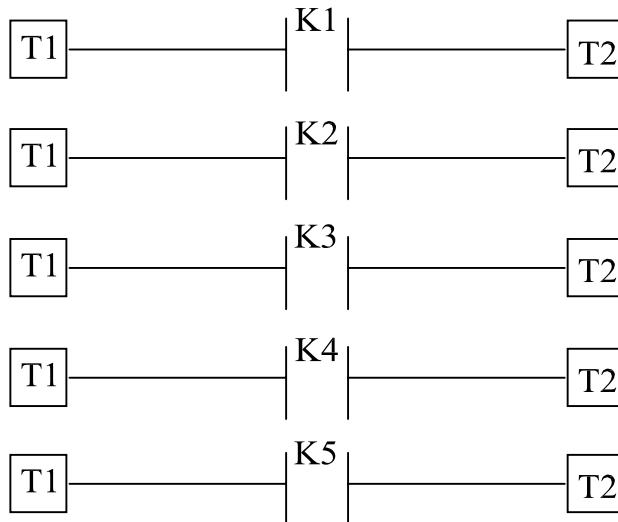
**SPECIFICATIONS:**

- 24VAC coil voltage
- 10 AMPS @ 240VAC relay contact rating
- SPST, normally open contact
- Dimensions: 2.75" x 3.50" x 0.75"
- Board supplied with four panel-mounting studs



Terminals 10 & 11 are for the Air Flow Switch Connection

### Contacts Connection



Contact Rating : 10 amps @ 240 VAC  
 Coil Voltage : 24 VAC  
 Contact Type : SPST, NO  
 Termination : 1/4" Quick Connect  
 Application : Two Stage Heat/Cool



Title:  
**5 RELAY PCB**

Model No.:  
**ET-788**

Rev: **A** Date: 05/12/2000  
 DWG No.: 000511