

LFS-01 Pressure Switch

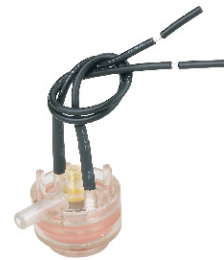
LFS-01 pressure switch is applied to detection of negative pressure, widely used in electrical appliance such as the vacuum cleaner, packing etc. It provides solder pin connections and is especially designed for mounting on “Printed Circuit Boards” .



Specification

Model	LFS-01
Media	Non-hazardous gas only
Electrical Function	1pole NO
Electrical Rating	20mA,120/250V~
Ambient Temperature	-10~90℃
Electrical Connection	solder pins1.0mm,10mm between away from each other or with different leads and terminals
Pressure Range	Pressure: 10-600mbar; Vacuum: 10-800mbar
Maximum Pressure	Pressure: 800mbar Vacuum:1000mbar
Connection	Inlet 4.0mm for tube connection

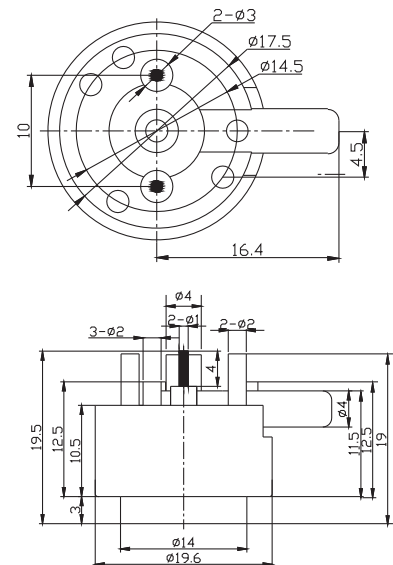
Conversion: 1mbar=100pa 1"W.C.=249pa



LFS-01 Order Ref No:

LFS-01-000W10R135-V90

- Pressure setting in mbar i.e. V90=90mbar vacuum; P90=90mbar positive
- Inlet Rotation : 0=Aligned, Rxx=Angle(xx in Degrees) i.e. R135=135°
- Wire lead: 0= Without, Wxx=wire lead in inches, i.e. W10=10inch wire lead; Terminal is available on customer's request
- Connection size: 0=4mm OD tube B=5mm OD tube
- Contact Carrying parts: 0=Brass Silver Plated G=Brass Golden Plated
- Connection type : D=pressure & Vacuum connection 0=Vacuum Connection



尺寸单位: mm
(Dimension in mm)