

# LF40-01 Air Actuated Switch

LF40-01 can be used together with an air button (also called as Actuator) for remote control purpose. It is widely used in food waste disposers, pumps for swimming pools and spas, hot tubs, sanitary equipments, out door machines, medical equipments etc. As a remote control switch, it is small enough to fix in the control box of the engine. Used as a remote control, the air switch has two actions:

- 1) Momentary action: when the air button is pushed, the air switch is actuated. When air button is released, the air switch will also be released. This is the way the basic pressure switches are working.
- 2) Alternate action (also referred to as latching or bistable): the first pushing on air button actuates the air switch, and the air switch keep actuating when air button is released. A second push on the air button will release the air switch.



## Specification

Model	LF40-01
Medium	Non hazardous gas or liquid
Operating Pressure Range	0.25~15PSI for momentary action; 1.0~1.8PSI for Alternate action
Proof Pressure	50PSI
Operating Temperature Range	-10°C to +85°C
Contact Arrangement	SPST or SPDT
Electrical Rating	0.1A,125/250VAC; 15A,125/250VAC; 3A,125/250VAC; 16A,125/250VAC; 5A,125/250VAC; 21A,125/250VAC
Terminals	6.3 or 4.8mm male Q.C.
Connection	Inlet4.0mm for tube connection(Optional 1/8" NPT or other fittings are available)

Conversion: 1Kgf/cm<sup>2</sup>=14.2PSI 1PSI=68.95mbar

## LF40-01 Order Ref No:

i.e.: LF40-011M1-31-3PSI

- Set Point(PSI):3PSI
- Terminal:6.3mm
- Electrical Rating:5A 125/250VAC
- Body Color:White
- Action Type:M: Momentary action; A: Alternate action
- Connection Type:4mm OD tube side entry

编号	Connection Type	Body Color	Electrical Rating	Terminal
1	4mm OD tube side entry	White	0.1A,125/250VAC	0.25inch blade
2	4mm OD tube +NPT1/4 connection bottom entry	Black	3A,125/250VAC	0.187inch blade
3	1/8NPT bottom entry	/	5A,125/250VAC	PCB
4	1/8NPT +4mm OD metal tube	/	15A,125/250VAC	/
5	/	/	16A,125/250VAC	/
6	/	/	21A,125/250VAC	/



LF40-011



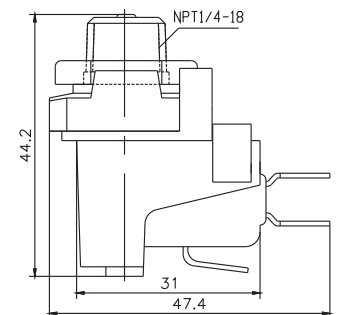
LF40-012



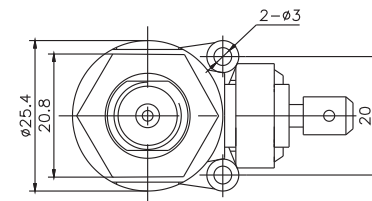
LF40-013



空气按钮  
(Air button)



气管  
(Air tube)



尺寸单位: mm  
(Dimension in mm)