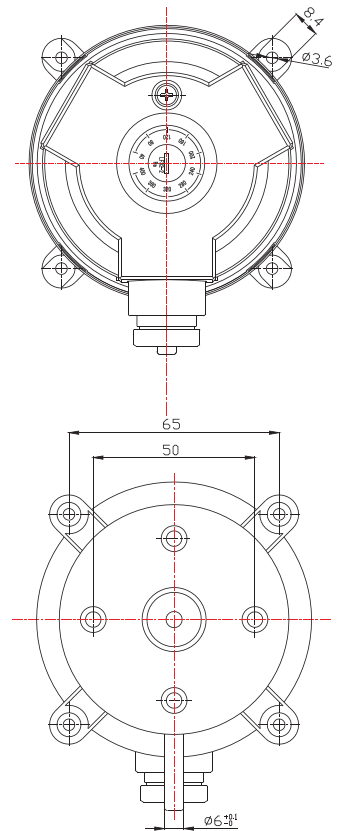


# LF 32 Pressure Switch

LF32 switch is capable to sense tiny pressure change and widely used to control the flue of aerator, to monitor and fan and air conditioner; It is also suit for over heating protection and frost protection in industrial cooling system. Due to its outstanding design, the setpoint can be adjust visually.



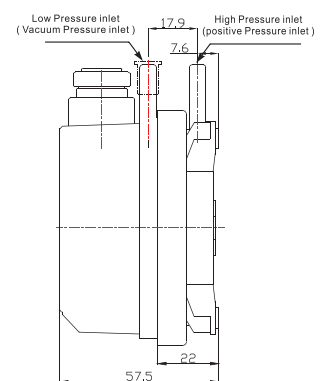
## Specification

Model	LF32
Media	Air, non-combustible and non-aggressive gases.
Max Operating Pressure	10kPa
Mounting Position	Diaphragm in any vertical plane
Degree of protection	IP54(With Cover), IP00(without cover)
Operating Temperature	-40°C to +85°C
Contact Arrangement	SPDT
Electrical Rating	Resistance: initial: < 50 milliohms Current: 1.5A(0.4A)/250V
Terminals	6.3mm × 0.8 blade or screw terminal
Connection	φ 6.0mm for tube connection

Conversion: 1in/H<sub>2</sub>O=249Pa 1mbar=100Pa

## LF32 Pressure Range

Model	Pressure Range	Differential	Tolerances
LF32-02	20-200(Pa)	10(Pa)	≤ ± 15%
LF32-03	30-300(Pa)	10(Pa)	≤ ± 15%
LF32-04	40-400(Pa)	20(Pa)	≤ ± 15%
LF32-05	50-500(Pa)	20(Pa)	≤ ± 15%
LF32-10	200-1000(Pa)	100(Pa)	≤ ± 15%
LF32-25	500-2500(Pa)	150(Pa)	≤ ± 15%



尺寸单位: mm  
(Dimension in mm)

